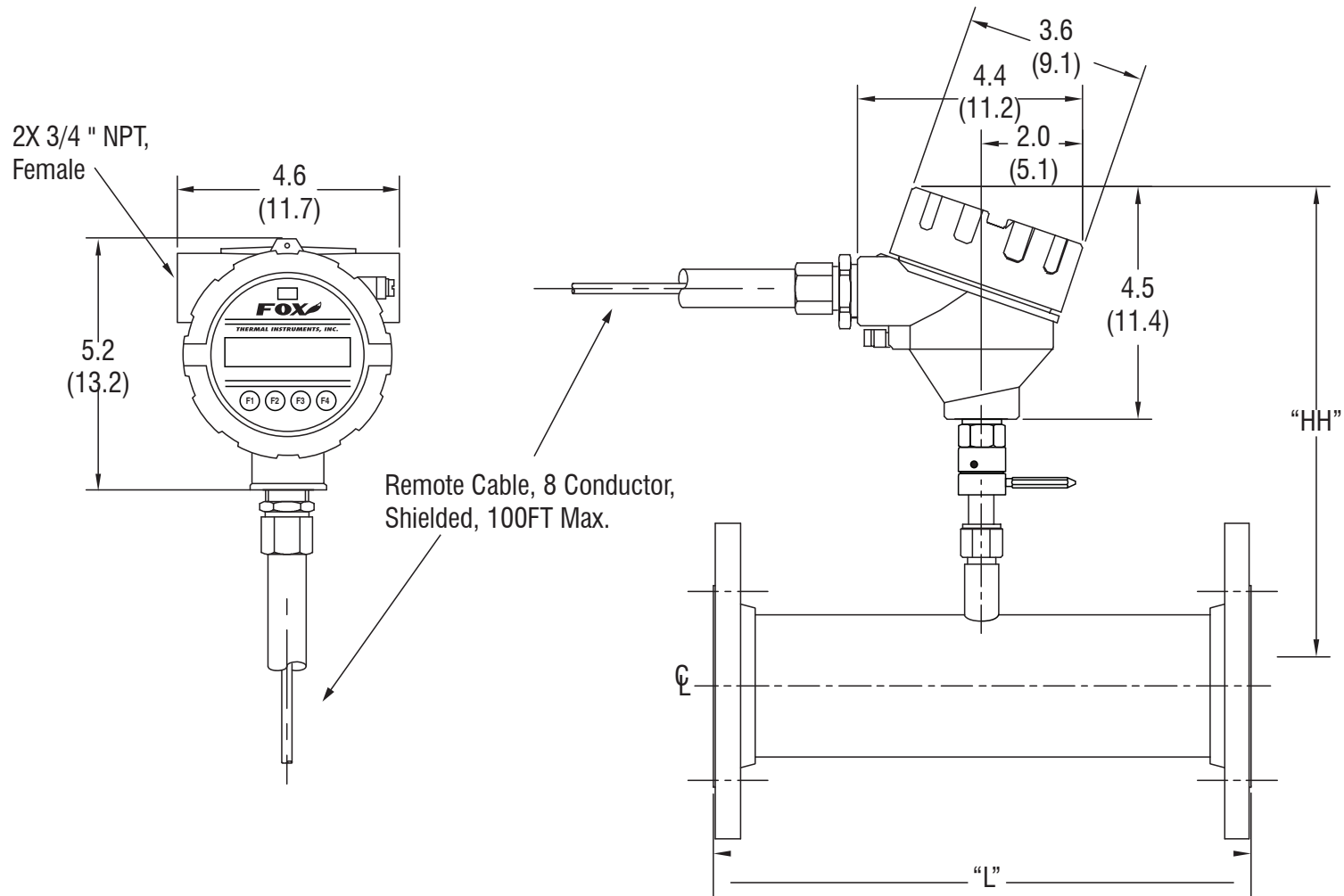


# Model FT4X Flowmeter Dimensional Drawing



Model FT4X Dimensions		
Pipe Size	"L" Dim. In. (cm)	"H" Dim. In. (cm)
1.50"	12.0 (30.5)	10.5 (26.7)
2.00"	12.0 (30.5)	10.5 (26.7)
2.50"	18.0 (45.7)	10.6 (26.9)
3.00"	18.0 (45.7)	10.6 (26.9)
4.00"	18.0 (45.7)	11.10 (28.2)
6.00"	24.0 (60.6)	12.20 (31.0)

**Inline style with 150# flanges**